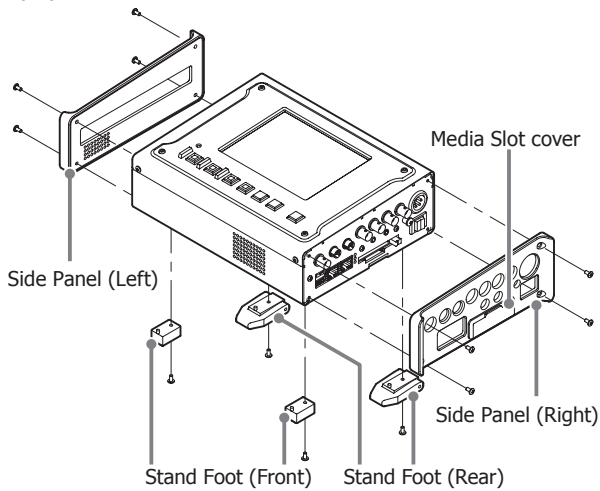


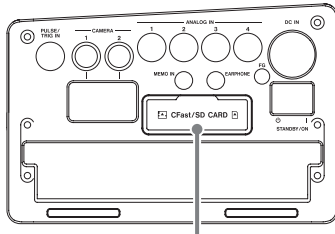
## Procedure for Attaching

### 1 Remove Side Panel and Stand Foot of VR-24

Removed screws are used for fixing panel for connecting battery unit.

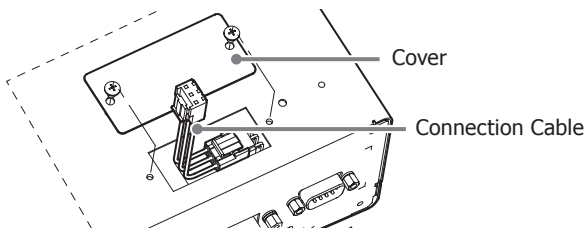


### 2 Remove Media Slot Cover on Side Panel(Right), and Attach it to Connection Panel(Right)



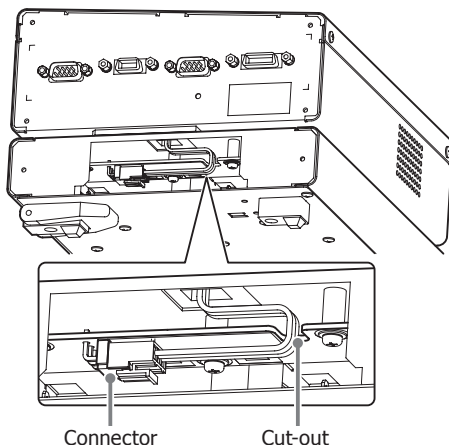
Media Slot Cover

### 3 Remove Bottom Cover and Connect Supplied Connection Cable



● Removed screws are used and fixed with sidescrew halls. Fastening torque has to be 60 N·cm (6 kgf·cm).

### 4 Put VR-24 on the BU-VR24 Battery Box, Connect Connection Cable to VR-24.

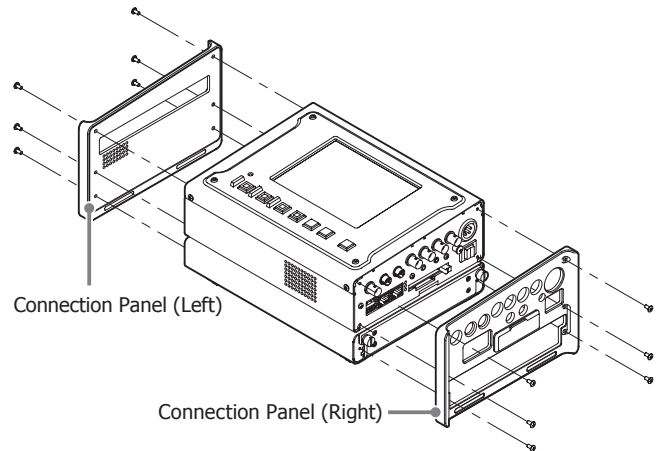


● Wire the connection cable through above cut-out

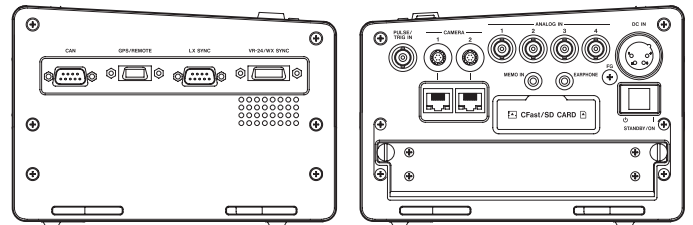
### 5 Fix the Connection Panels by fastening screws

Removed screws from original side panel (8 pcs.) and additional screws (4 pcs.) are used for fixing

● Fastening torque has to be 60 N·cm (6 kgf·cm)



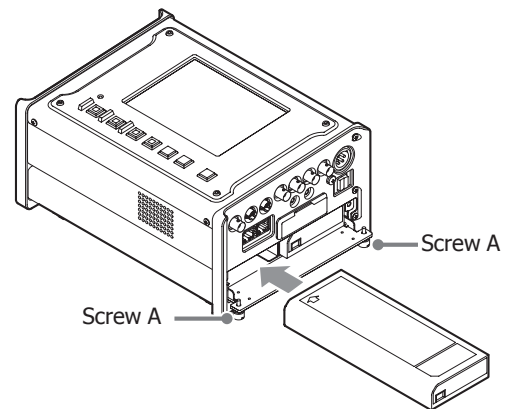
### 6 Fixing Completed. Make Sure that Both Sides Become as Follow



Left Side

Right Side

## Procedure for Install/Remove Batteries



### 1 Unfasten Both Screw A and Open the Cover

### 2 Install Batteries Following as Above

### 3 Close the Cover and Fasten the Screws with Pushing Batteries

● When Removing Batteries, Follow the Reverse Sequence.