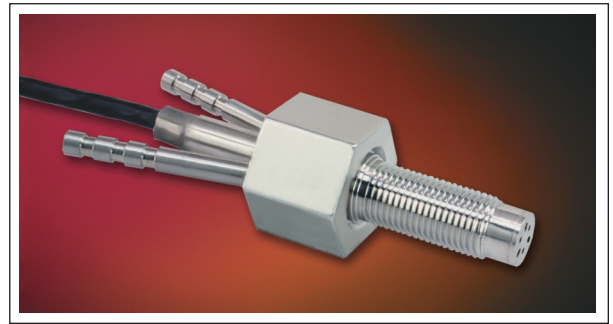




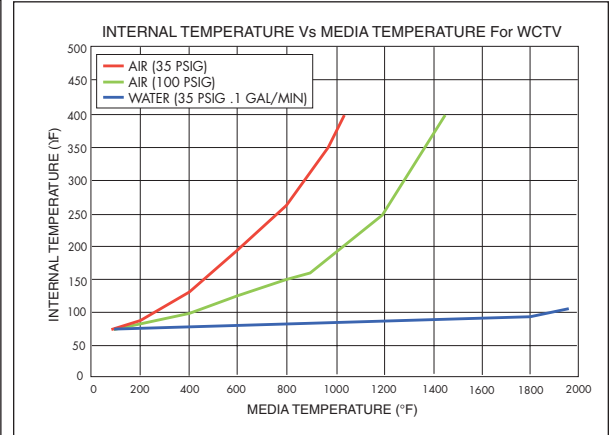
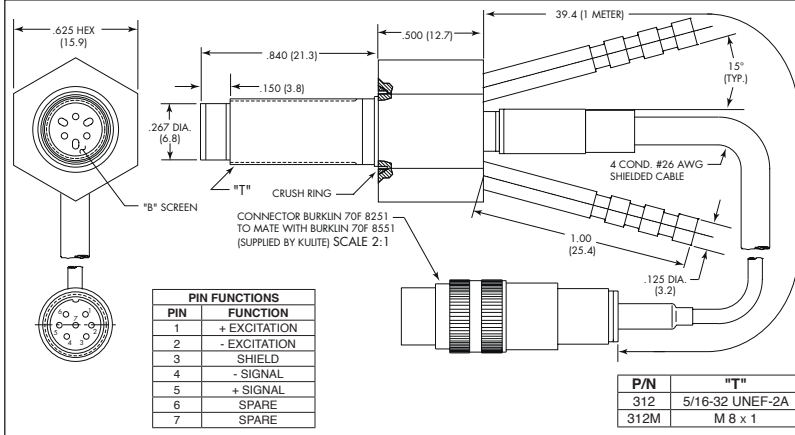
## WATER/AIR COOLED IS® TRANSDUCER WCTV-312 (M)

- Patented Leadless Technology **VIS®**
- Superior Thermal Protection
- Both Dynamic and Static Pressure Capabilities
- Extreme Temperature Capabilities Such As Required In Exhaust Systems

Kulite introduces a new small and compact Water Cooled Pressure Transducer for both dynamic and static pressure measurements in extreme temperature environments such as automotive and turbine exhaust systems. The WCTV-312 combines Kulite's patented Leadless Silicon Technology and a Miniature Water Cooled Jacket to provide pressure measurement capabilities previously unavailable.



Kulite recommends the **KSC Series** of signal conditioners to maximize the measurement capability of the WCTV-312 transducer.



<b>INPUT</b>	Pressure Range	1.7 25	3.5 50	7 100	14 200	21 300	35 500	70 1000	140 BAR 2000 PSI	
	Operational Mode	Absolute, Sealed Gage								
	Over Pressure	2 Times Rated Pressure								
	Burst Pressure	3 Times Rated Pressure								
	Pressure Media	Compatible With Exhaust Gases and Fluids and Any Media Compatible With SiO <sub>2</sub> and 15-5 PH Stainless Steel								
	Rated Electrical Excitation	10 VDC/AC								
	Maximum Electrical Excitation	12 VDC/AC								
	Input Impedance	1000 Ohms (Min.)								
<b>OUTPUT</b>	Output Impedance	1000 Ohms (Nom.)								
	Full Scale Output (FSO)	100 mV (Nom.)								
	Residual Unbalance	± 25 mV (Max.)								
	Combined Non-Linearity, Hysteresis and Repeatability	± 0.1% FSO BFSL (Typ.), ± 0.5% FSO (Max.)								
	Resolution	Infinitesimal								
	Natural Frequency of Sensor Without Screen (KHz) (Typ.)	240	300	380	500	575	700	1000	1400	
<b>ENVIRONMENTAL</b>	Insulation Resistance	100 Megohm Min. @ 50 VDC								
	Water Flow Rate	.15 Gal/Min (Typ.)								
	Operating Temperature Range	75°F to 2000°F (24°C to 1093°C)								
	Mechanical Shock	20 Half Sine Wave 11 msec. Duration								
<b>PHYSICAL</b>	Linear Vibration	20 Peak, Sine 10 to 2000 Hz								
	Electrical Connection	Burklin 70F 8251 Connector (Mating Connector Supplied)								
	Weight	50 Grams (Approx.) Excluding Cable								
	Pressure Sensing Principle	Fully Active Four Arm Wheatstone Bridge Dielectrically Isolated Silicon on Silicon Patented Leadless Technology								
	Mounting Torque	50 Inch-Pounds (Max.) 6Nm								

Note: Custom pressure ranges, accuracies and mechanical configurations available. Dimensions are in inches. Dimensions in parenthesis are in millimeters. All dimensions nominal. (X) Continuous development and refinement of our products may result in specification changes without notice. Copyright © 2014 Kulite Semiconductor Products, Inc. All Rights Reserved. Kulite miniature pressure transducers are intended for use in test and research and development programs and are not necessarily designed to be used in production applications. For products designed to be used in production programs, please consult the factory.