

METRIC INSTALLATION OF MINIATURE THREADED SERIES TRANSDUCERS

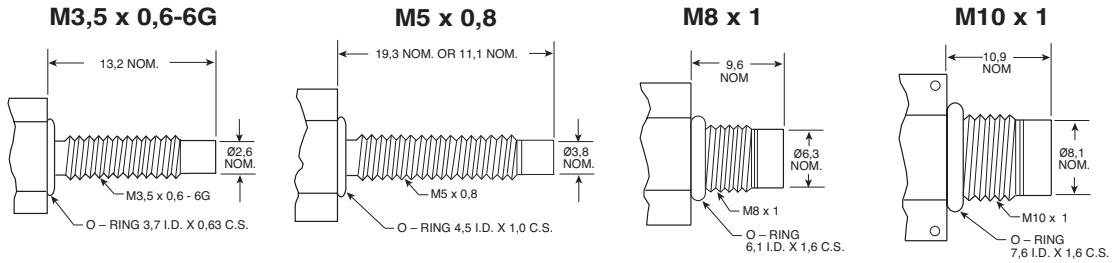


FIG. 1 (a)

FIG. 1 (b)

FIG. 1 (c)

FIG. 1 (e)

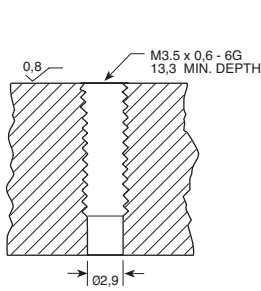


FIG. 2 (a)

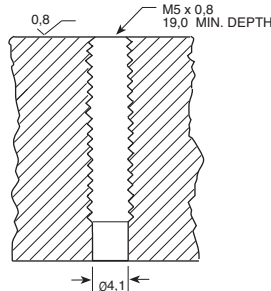


FIG. 2 (b)

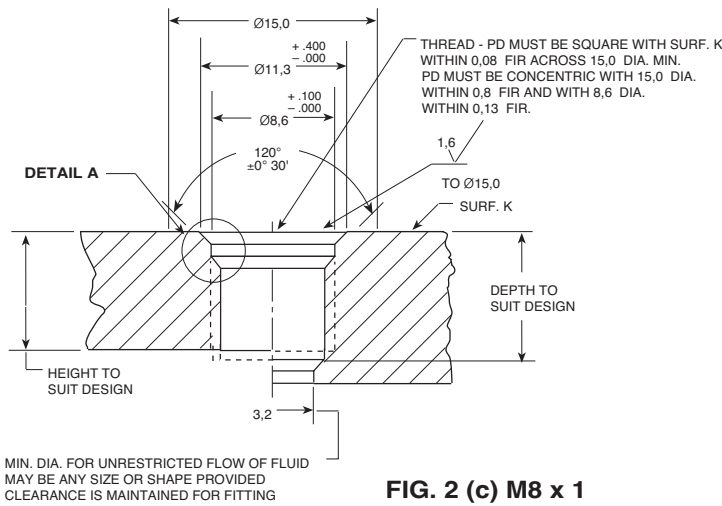


FIG. 2 (c) M8 x 1

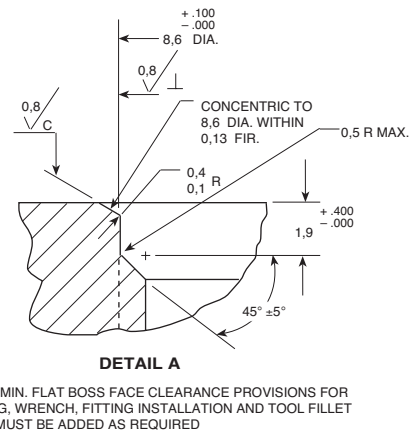


FIG. 2 (c) DETAIL

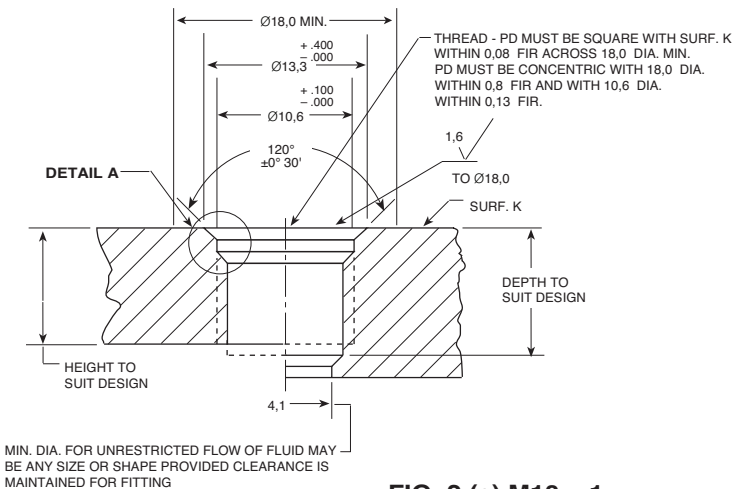


FIG. 2 (e) M10 x 1

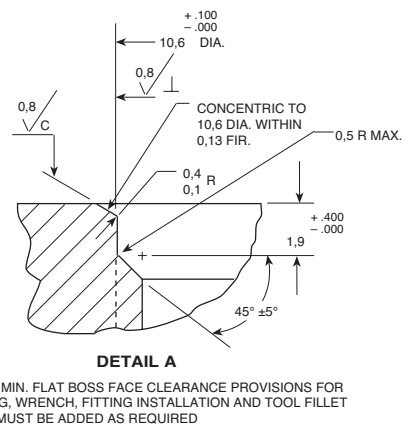


FIG. 2 (e) DETAIL

For proper mounting of Figures 1(e), an ISO7320 port is required. The detail for this port is shown in Fig. 2 (e) and Fig. 2 (e) Detail. Mounting torque for the transducers is listed below.

M3,5 x 0,6-6G
1,7 Nm (Max.)

M5 x 0,8
1,7 Nm (Max.)

M6 x 1-6g
6 Nm (Max.)

M8 x 1
8,5Nm (Max.)

HKS-375M ONLY
M10 x 1
20,3 Nm

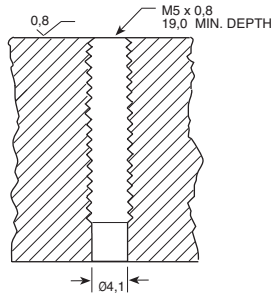
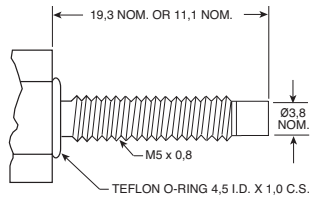
M10 x 1
9-13,5 Nm

(P)

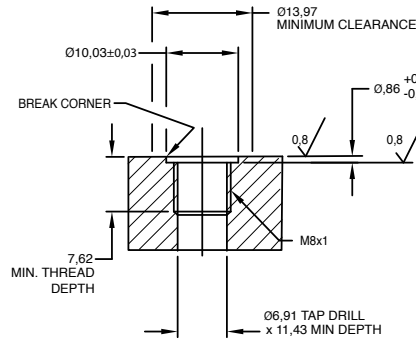
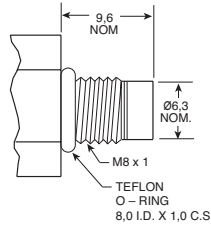
METRIC INSTALLATION OF MINIATURE THREADED SERIES TRANSDUCERS

CRYOGENIC SERIES

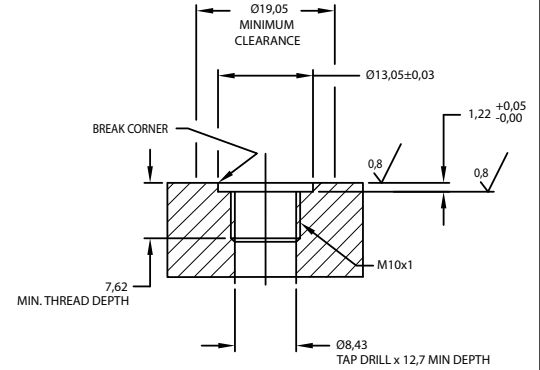
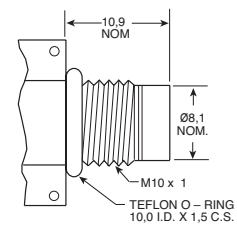
CTL-190M
M5X0,8



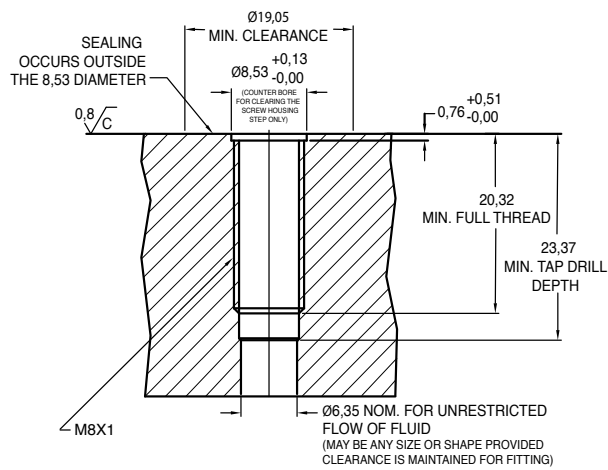
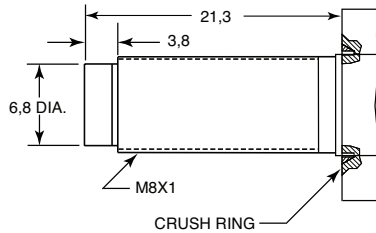
CTL-312M
M8X1



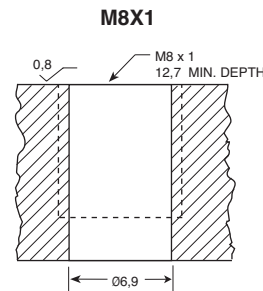
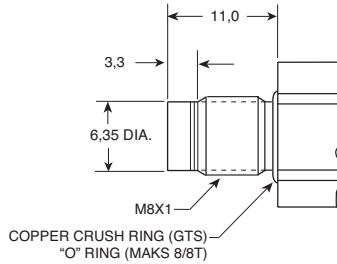
CTL-375M
M10X1



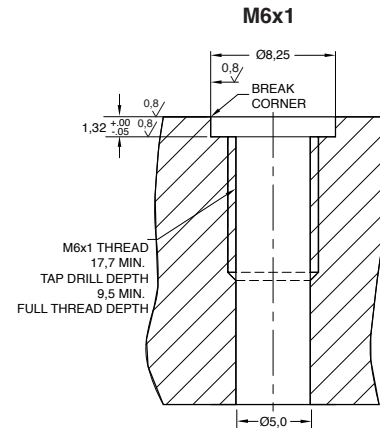
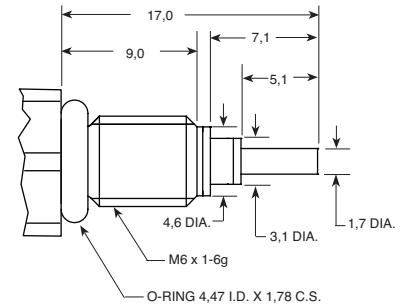
(E)WCT(V)-312(M)



ETL-GTS-X-312(M)
MAKS - 8/8T

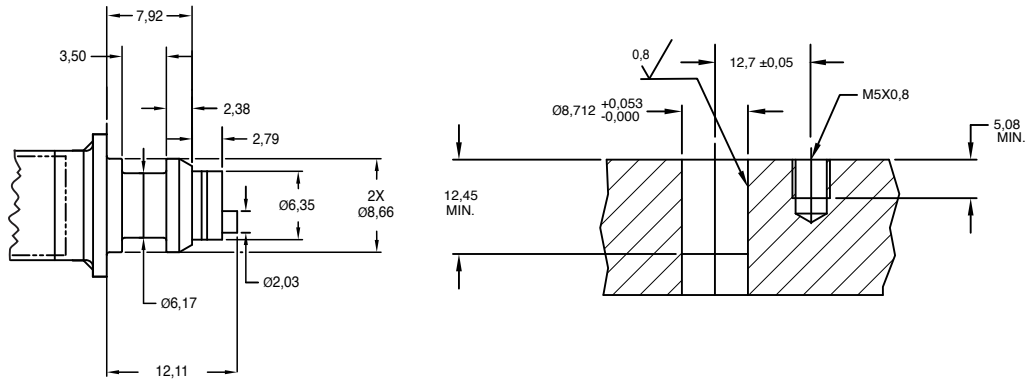


TTS-X-235(M)



METRIC INSTALLATION OF MINIATURE THREADED SERIES TRANSDUCERS

KZS SERIES



MAKS-6(X)

